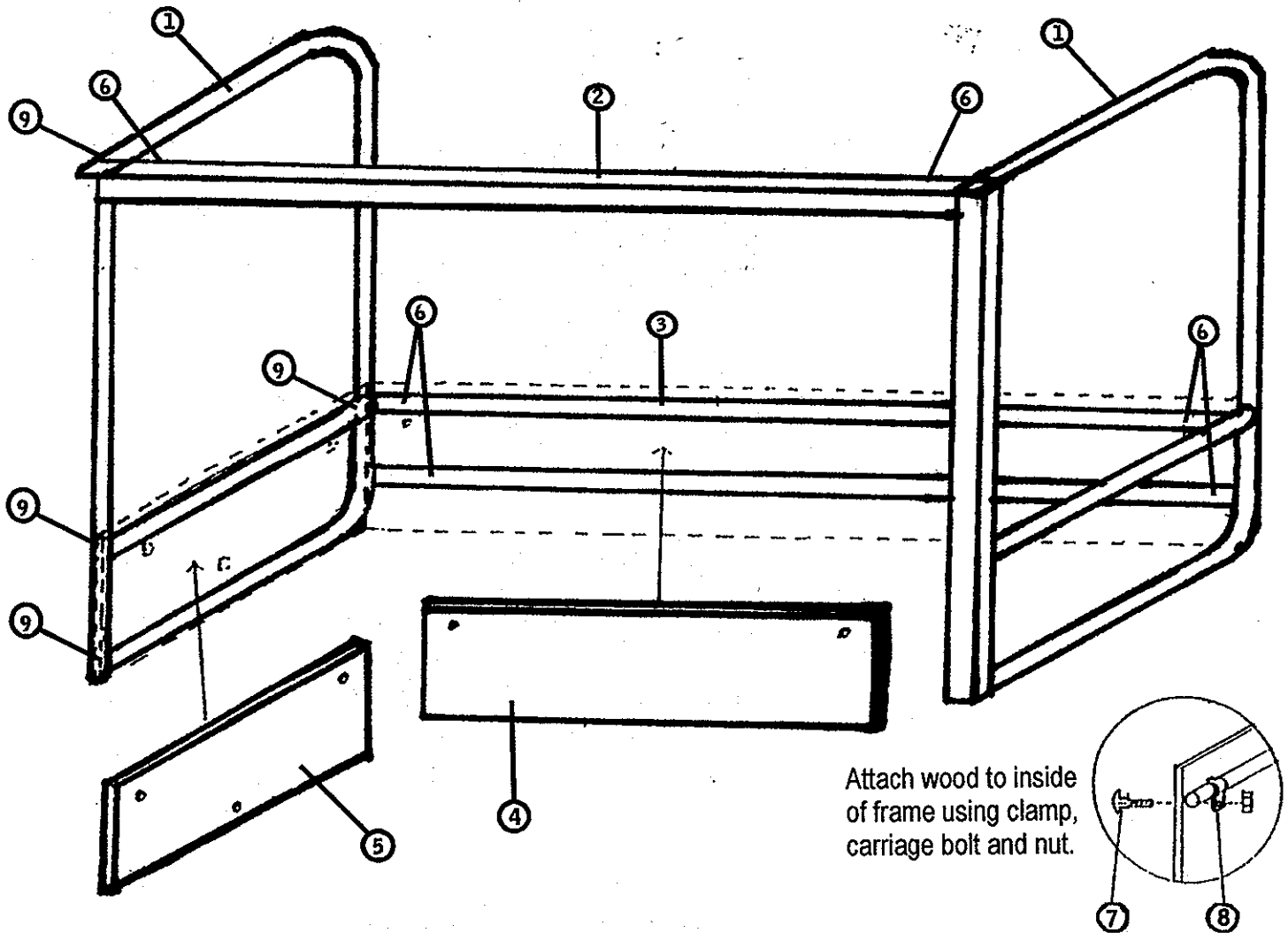


# M18473 PORTABLE FIELD HOCKEY GOAL



Attach wood to inside of frame using clamp, carriage bolt and nut.

## Parts List:

1. 2 EA. END FRAMES
2. 1 EA. TOP GOAL FACE (2" X 2" SQ. TUBE X 12' LONG)
3. 2 EA. BACK GOAL FRAME (1-3/4" ROUND TUBE X 12' LONG)
4. 2 EA. WOOD BOTTOMS ( 18" X 72")
5. 2 EA. WOOD SIDES (18" X 48")
6. 6 EA. 3/8" X 1-1/2" THUMB SCREWS
7. 10 EA. 1/4" CARRIAGE BOLTS AND NUTS
8. 10 EA. CLAMPS
9. 8 EA. 5/16" X 2-1/4" CARRIAGE BOLTS, ACORN NUTS AND WASHERS

**ASSEMBLY INSTRUCTIONS:** Place each end frame on ground with stubs facing each other. Assemble, connecting components to each other. (Square to square, round to round). Secure with 3/8" thumb screws. Stand unit frame up. 2" square frame facing front and top as showing. At this time attach the net. Attach 18" x 72" wood to back of goal. Attach 18" x 48" wood to sides of goal. Secure wood pieces with clamp and nut.