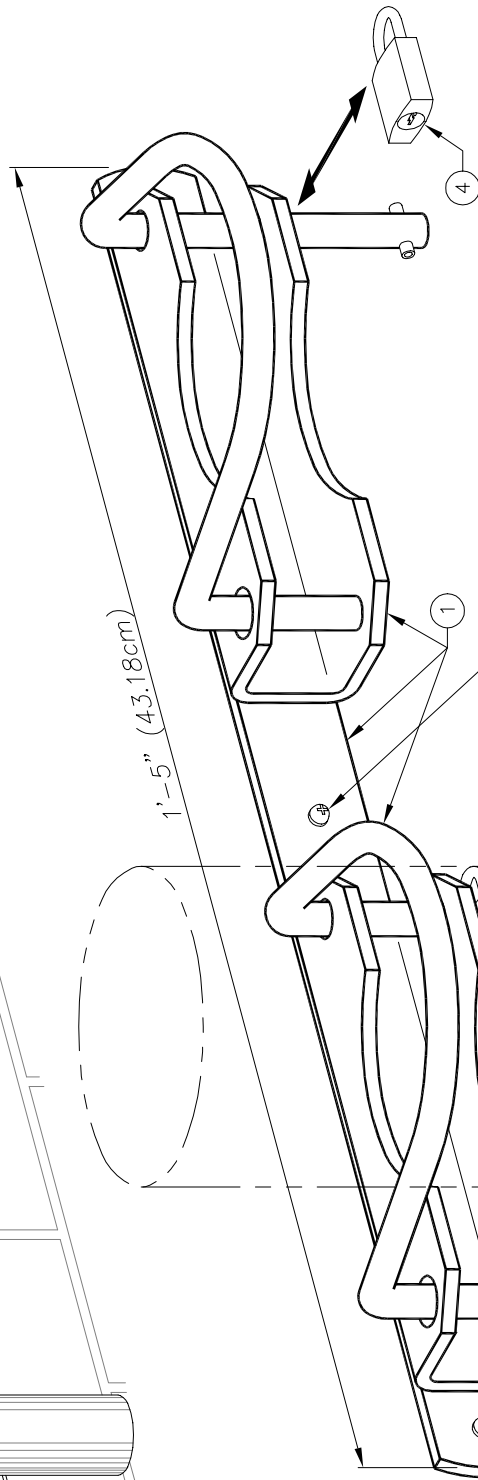


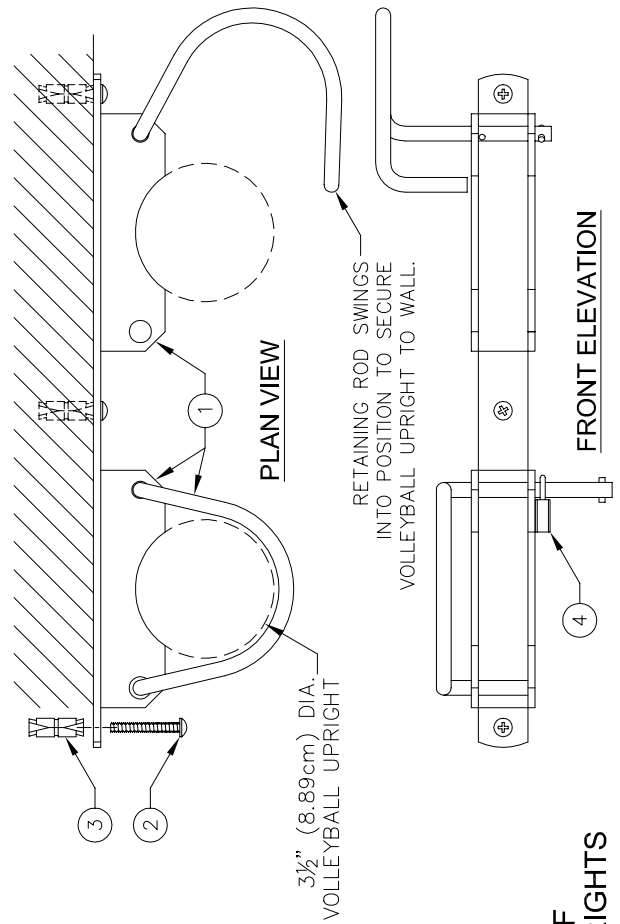
PARTS LIST	
No. QTY.	DESCRIPTION
1	BRKT 00002 001 WALL STORAGE RACK ASSEMBLY
2	HDWE 06055 0E0 1/4" x 1-3/4" LG. MACHINE SCREW
3	HDWE 58003 000 1/4" DOUBLE EXPANSION ANCHOR
4	CHAN 00013 000 PADLOCK WITH KEYS

RACK ASSEMBLIES MAY BE MOUNTED IN A SERIES ON WALL FOR MULTIPLE COURT UPRIGHT STORAGE.

HARDWARE PROVIDED FOR MOUNTING WALL STORAGE RACK ASSEMBLY TO MASONRY WALL



PADLOCK (2 PROVIDED) SECURES RETAINING ROD TO PREVENT REMOVAL OF UPRIGHT BY UNAUTHORIZED INDIVIDUALS.



RETAINING ROD SWINGS INTO POSITION TO SECURE VOLLEYBALL UPRIGHT TO WALL.

— 00825-000 WALL STORAGE RACK FOR PAIR OF 3 1/2" (8.89cm) DIA. VOLLEYBALL UPRIGHTS

REVISION	DATE	Porter <sup>®</sup> No.
△	.	.
△		CUSTOMER No.
△		DATE

**00825-000**  
**WALL STORAGE RACK FOR PAIR OF**  
**3 1/2" DIA. VOLLEYBALL UPRIGHTS**

THIS PRINT IS THE PROPERTY OF PORTER ATHLETIC EQUIPMENT COMPANY AND MAY NOT BE REPRODUCED WITHOUT WRITTEN PERMISSION

**porter<sup>®</sup>**  
 WORLD LEADER  
 IN QUALITY SPORTS EQUIPMENT  
 2500 S. 25th AVENUE  
 BROADVIEW, ILLINOIS 60155  
 www.porter-ath.com

DRAWING BY RJM
CHECKED BY ES
PAGE No. V-825

# **SPECIFICATIONS**

## **PORTER No. 00825-000 VOLLEYBALL UPRIGHT WALL STORAGE RACK**

Wall mounted storage rack is designed to secure one pair (2) of 3-1/2" (8.9cm) diameter, sleeve type volleyball uprights neatly and compactly in a vertical position on storage room walls. Storage rack shall be furnished with two (2) padlocks to prevent usage of equipment by unauthorized individuals.

Rack shall consist of two (2) heavy formed steel clamps welded to a 17" (43cm) x 1-1/4" (3.1cm) wide mounting strip with three (3) holes for mounting to a masonry wall with hardware provided with unit. Rack shall be finished in a durable powder coated finish.

Uprights shall be held securely in the vertical position by two special 3/8" (9.5mm) formed, zinc plated retaining rods, which swivel and lock in position into the formed steel clamp assembly.

Racks may be mounted in a series on storage room walls for multiple court use.