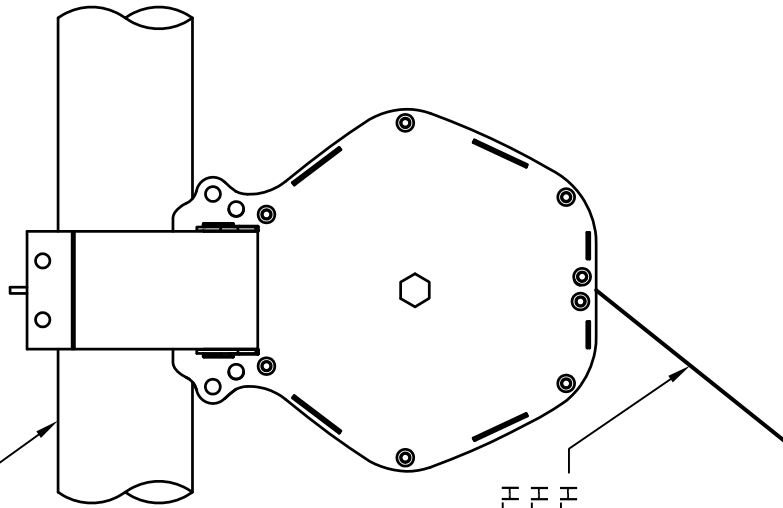
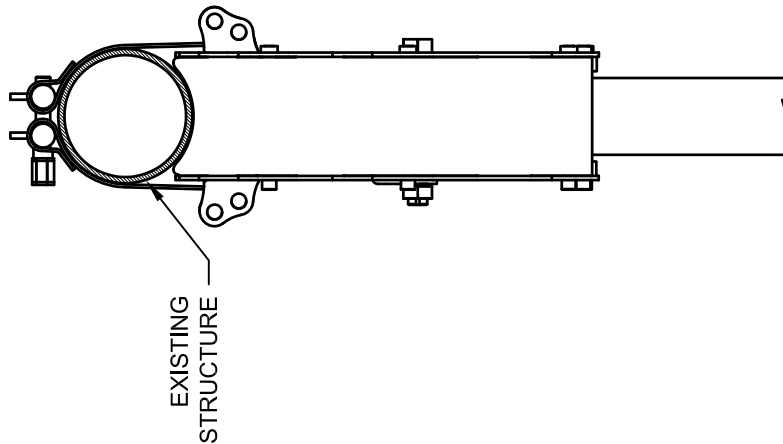


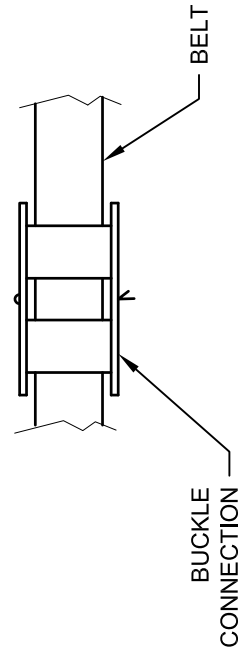
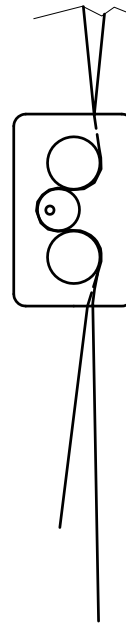
FITS 3.5" O.D. OR 4" O.D. OVERHEAD PIPE STRUCTURE



2" WIDE NYLON BELT WITH 7300 LBS. TENSILE STRENGTH AND A 38' MAXIMUM LENGTH



EXISTING STRUCTURE



BUCKLE CONNECTION

BELT

BELT ATTACHMENT

CAUTION

LOCKING STRAP IS RATED FOR 1000 LBS. AND HAS BEEN TESTED TO HOLD 1500 LBS. FREE FALL THRUST. THIS DOES NOT INSURE THAT OTHER COMPONENTS, SUCH AS BUILDING STRUCTURE WILL WITHSTAND THRUST LOAD.

REVISION		
REV.	DATE	BY
A	12/05/03	JJC
B	03/02/05	ATS
C	04/15/08	RWP
D	06/08/09	RWP



Gared Holdings, LLC
9200 E. 146th St. Noblesville, IN 46060

THIS DOCUMENT CONTAINS TRADE SECRET AND OTHER MATERIALS WHICH ARE PROTECTED BY CONFIDENTIALITY NOTICE AND AGREEMENT AND BY COPYRIGHT. ANY USE OR COPYING OF THIS DOCUMENT EXCEPT AS AUTHORIZED BY GARED HOLDINGS, LLC IS STRICTLY PROHIBITED.

MODEL 1100 POSILOCK STRAP

DRAWN	CONNERLEY	DATE	04/17/03	MATERIAL	N/A
APPROVED	JJC	DATE	04/17/03	FINISH	POWDER COATED BLACK
FILE LOC. Q:\Final Release\Specifications				DWG. NO.	1100
SIZE	SCALE	SHT. NO.	PART NO.	REV	
A	NONE	1 OF 1	1100	D	



MODEL 1100

AUTOMATIC POSILOK™

This unit is designed to prevent free-fall of backstops due to cable, pulley, support fitting, or winch failure. Any sudden surge of speed due to failure shall instantly lock Automatic PosiLok™ and hold the backstop in any position. This unit will lock backstop before it travels 12" in a free-fall. This unit is fully functional during storage, raising and lowering of backstops.

Automatic PosiLok™ is attached to 3 1/2" or 4" O.D. overhead superstructure with a universal mounting-bracket that allows for tubing parallel or perpendicular to the unit. The 2" wide nylon belt has a 7:1 safety factor and can extend 38 feet. The belt is attached to the backstop frame using a buckle connection.

Automatic PosiLok™ has an automatic spring-loaded reset and does not require electricity in order to operate. Automatic PosiLok™ locks when a speed of 1.5 ft/s is reached in the belt. When the belt has been used to arrest a fall, an orange section of fabric will be exposed to indicate that the unit has undergone the stress of arresting a fall. Automatic PosiLok™ is recommended for any backstop folded over seating.

MODEL 1103-45' belt length

CAUTION:

Automatic PosiLok™ is rated for 1000 lbs. And has been tested to hold 1500 lbs. This does not insure that other components, such as building structure will withstand thrust load.

Automatic PosiLok™ will not prevent injury incurred by being struck with a backstop in freefall.